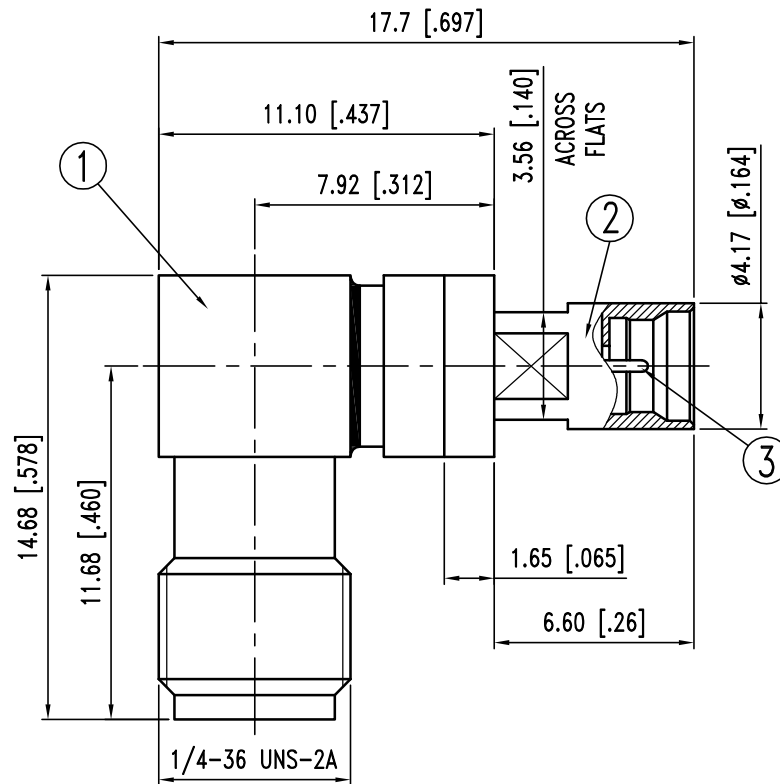
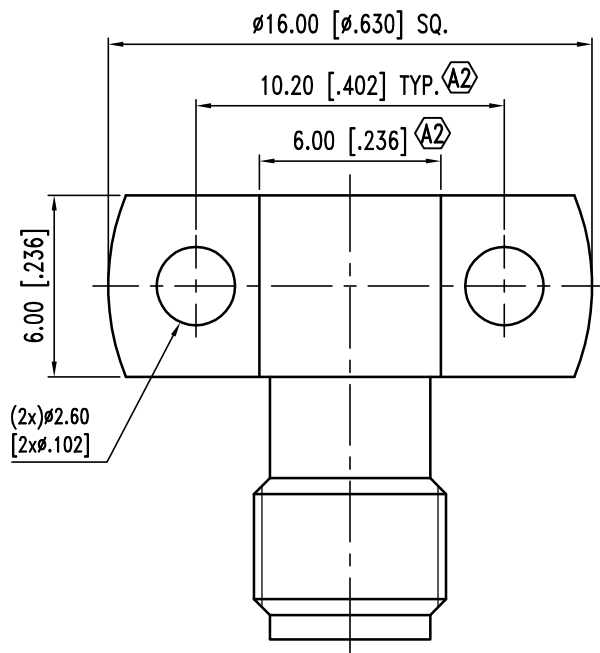


RoHS  
COMPLIANT



## SPECIFICATIONS :

- 1.IMPEDANCE : 50 OHMS
- 2.FREQUENCY:DC-10 GHz
- 3.PASSIVATE FINISH :PASSIVATE OVER SUS303(BODY)
- 4.GOLD FINISH :30 microinches OVER BeCu(CONTACT)
- 5.REMOVED ALL BURRS & BREAK ALL SHARP EDGES

REV	ECN NO.	NAME	DATE	TOLERANCE :	 Huang Liang Technologies Co., Ltd TITLE: SMP(P) TO SMA(I) 2 HOLE FLANGE ADAPTOR DWG.NO: 145-R020/188(SF162)	
5	Dielectric	145-R010-80-DX	1	PTFE		NONE
4	Dielectric	101-R01P-70-DX	1	PTFE		NONE
3	Contact	145-R010-40-AC	1	BeCu		GOLD
2	Body	145-R020-20-NP	1	SUS303	PASSIVATE	
1	Body	145-R020-10-NP	1	SUS303	PASSIVATE	
ITEM	DESCRIPTION	PART NUMBER	Q'TY	MATERIAL	FINISH	
5	Dielectric	145-R010-80-DX	1	PTFE	NONE	
4	Dielectric	101-R01P-70-DX	1	PTFE	NONE	
3	Contact	145-R010-40-AC	1	BeCu	GOLD	
2	Body	145-R020-20-NP	1	SUS303	PASSIVATE	
1	Body	145-R020-10-NP	1	SUS303	PASSIVATE	
File Path: FILE.PATH				Unit	A4	
Drawn: <i>JERRY</i> 08/08/16 Checked: <i>WEN</i> 08/08/16 Approved: <i>H.T.LIN</i> 08/08/16				mm	SCALE: 5/1 SHEET: 1 OF 1 SERIES: --	