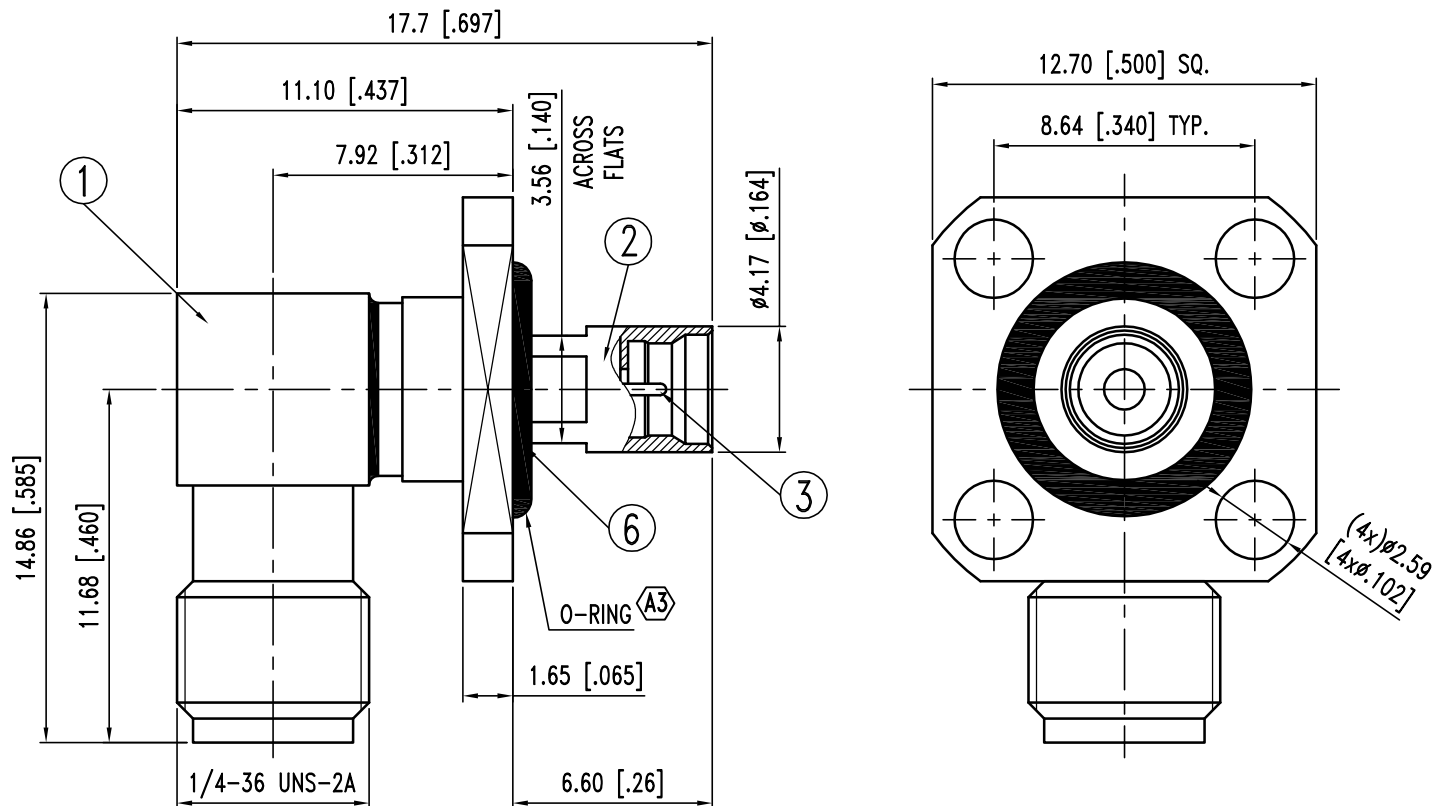


RoHS
COMPLIANT



SPECIFICATIONS :

1. IMPEDANCE : 50 OHMS
2. FREQUENCY: DC-10 GHz
3. PASSIVATE FINISH : PASSIVATE OVER SUS303 (BODY)
4. GOLD FINISH : 30 microinches OVER BeCu (CONTACT)
5. REMOVED ALL BURRS & BREAK ALL SHARP EDGES

6	O-ring	145-A03T-M0-MX	1	S. I. R	NONE
5	Dielectric	145-R010-80-DX	1	PTFE	NONE
4	Dielectric (A2)	101-R01P-70-DX	1	PTFE	NONE
3	Contact	145-R010-40-AC	1	BeCu	GOLD
2	Body	145-R010-20-NP	1	SUS303	PASSIVATE
1	Body (A2)	101-R01P-10-SP	1	SUS303	PASSIVATE

REV	ECN NO.	NAME	DATE	TOLERANCE :
A3	105-0357	JERRY	06/14/16	DECIMALS : .XX ± 0.08
A2		JERRY	05/26/16	.X ± 0.13
A1		JANE	05/13/16	DIAMETER : ± 0.08

HUANG LIANG Technologies CO., LTD

TITLE:
SMP(P) TO SMA(I) 4 HOLE FLANGE ADAPTOR

Drawn	Checked	Approved	Unit
JANE	JERRY	H.T. LIN	mm
05/13/16	05/13/16	05/13/16	

DWG.NO:
145-R010/188(SF162)

ITEM	DESCRIPTION	PART NUMBER	Q'TY	MATERIAL	FINISH	File Path: FILE.PATH	Unit	SCALE	SHEET	SERIES
							A4	5/1	1 OF 1	--