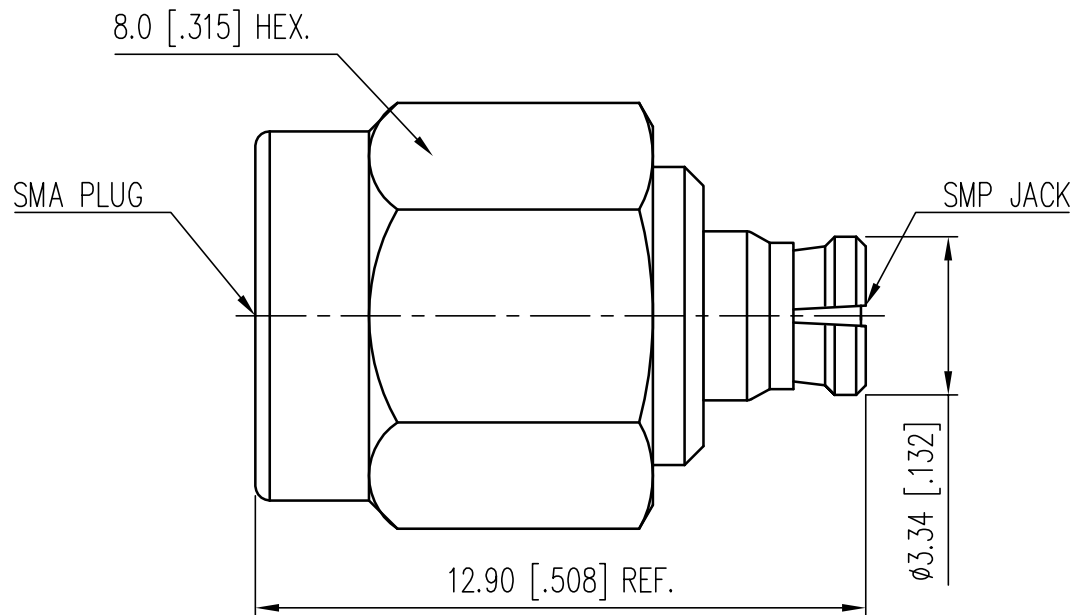


RoHS
COMPLIANT



SPECIFICATIONS :

- 1.IMPEDANCE : 50 OHMS
- 2.GOLD FINISH :3 microinches OVER BRASS&BeCu(BODY,COUPLING NUT,R/RING)
- 3.GOLD FINISH :30 microinches OVER BeCu(CONTACT)
- 4.REMOVED ALL BURRS & BREAK ALL SHARP EDGES

8	Coupling nut	101-M000-H0-BA	1	BRASS	GOLD
7	R/ring	145-F001-R0-AA	1	BeCu	GOLD
6	R/ring	101-M000-R0-SX	1	SUS303	NONE
5	Gasket	101-M000-M0-MX	1	S. I .R	RED
4	Dielectric	145-A045-70-DX	1	PTFE	NONE
3	Contact	145-A045-40-AC	1	BeCu	GOLD
2	Body	145-A041-20-AA	1	BeCu	GOLD
1	Body	145-A045-10-BA	1	BRASS	GOLD
ITEM	DESCRIPTION	PART NUMBER	Q'TY	MATERIAL	FINISH

REV	ECN NO.	NAME	DATE	TOLERANCE :
				DECIMALS: .XX ±0.08 .X ±0.13 DIAMETER : ±0.03
A1		JERRY	01/20/17	
		Drawn	Checked	Approved
		<i>JERRY</i>	<i>CHEN</i>	<i>H.T.LIAW</i>
		01/20/17	01/20/17	01/20/17
		Unit		
		mm		
		File Path: FILE.PATH		
				A4



HUANG LIANG Technologies CO., LTD

TITLE:
SMA PLUG TO SMP JACK ADAPTOR

DWG.NO:
145-A045/111



SCALE	SHEET	SERIES
10/1	1 OF 1	SMA