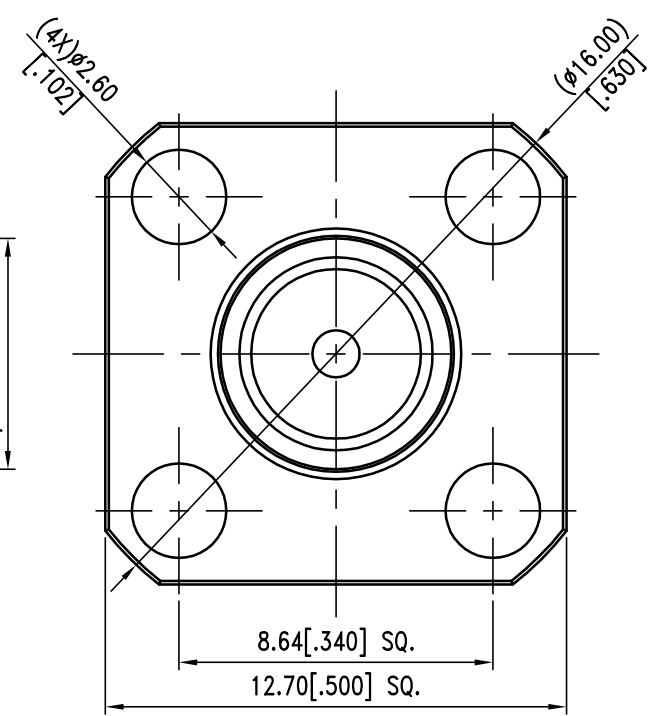
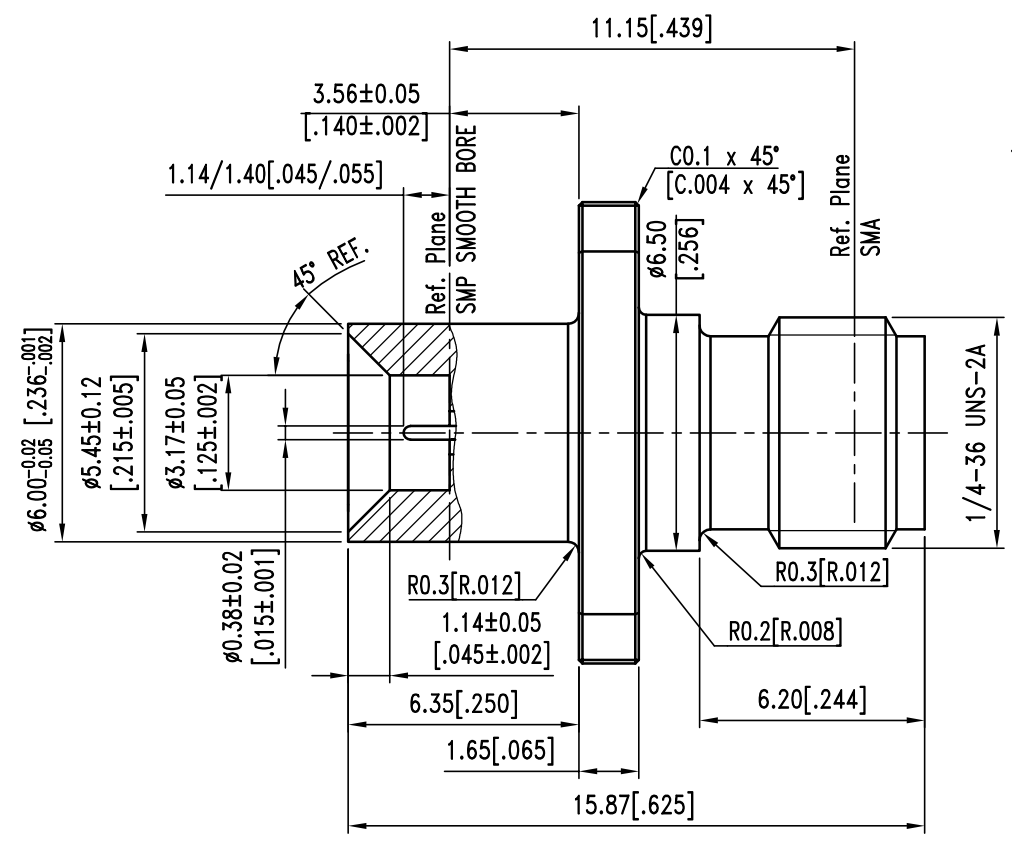
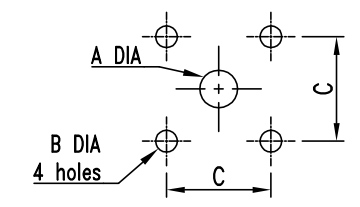


RoHS  
COMPLIANT



PANEL CUT OUT



	mm	
	Maxi	mini
A	4.5[.177]	4.4[.173]
B	2.65[.104]	2.60[.102]
C	8.69[.342]	8.59[.338]

## SPECIFICATIONS :

1. IMPEDANCE : 50 OHMS
2. GOLD FINISH : PASSIVATE OVER SUS303(BODY)
3. GOLD FINISH : 50 microinches OVER BeCu(PIN)
4. REMOVED ALL BURRS & BREAK ALL SHARP EDGES

ITEM	DESCRIPTION	PART NUMBER	QTY	MATERIAL	FINISH
3	Dielectric	145-A03K-70-DX	1	PTFE	NONE
2	Pin	145-A03K-40-AD	1	BeCu	GOLD
1	Body	145-A03K-10-NP	1	SUS303	PASSIVATE

REV	ECN NO.	NAME	DATE	TOLERANCE: DECIMALS: .XX ± 0.10 .X ± 0.25 DIAMETER: ± 0.08
A2	106-0123	KEN.H	03/01/17	
A1		Nice Lin	03/03/15	

Huang Liang Technologies Co., Ltd

TITLE: SMA JACK 4-HOLE FLANGE TO SMP PLUG ADAPTER SMOOTH BORE-CATCHER'S MITT TYPE

DWG.NO. 145-A03K/188

SCALE 5/1 SHEET 1 OF 1 SERIES SMA

Drawn	Checked	Approved	Unit
<i>N.P.C</i>	<i>P.C.H.E.N</i>	<i>P.C.H.E.N</i>	mm
03/03/15	03/03/15	03/03/15	

File Path: FILE.PATH