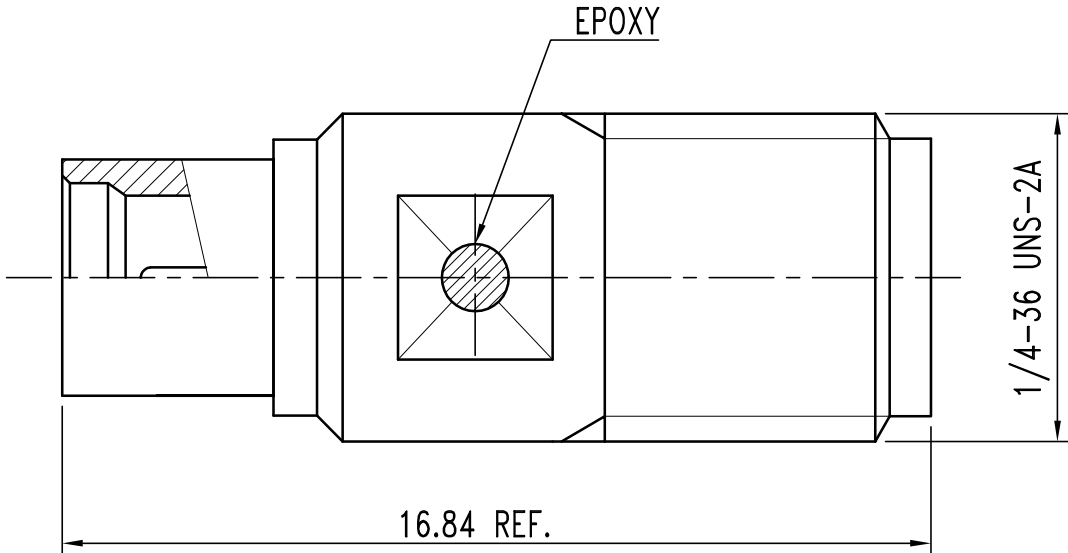
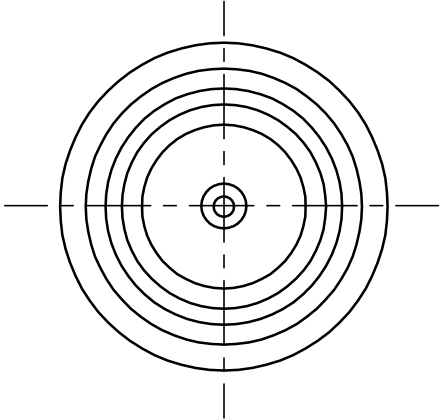



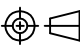
RoHS
COMPLIANT



SPECIFICATIONS :

- 1.IMPEDANCE : 50 OHMS
- 2.GOLD:3microinches OVER SUS303
- 3.GOLD:3microinches OVER BRASS
- 4.GOLD FINISH :30 microinches OVER BeCu
- 5.REMOVED ALL BURRS & BREAK ALL SHARP EDGES

SMOOTH BORE TYPE

REV	ECN NO.	NAME	DATE	TOLERANCE: DECIMALS:		 HUANG LIANG Technologies CO., LTD TITLE: (B) SMA JACK TO SMP PLUG ADAPTER
B	97-0064	JERRY	97/02/01	.XX	± 0.08	
A		CLOUD	95/04/17	.X	± 0.13	
				DIAMETER:		± 0.03
4	dielectric	145-A035-70-DX	1	PTFE	NONE	DWG.NO. 145-A035/119 SCALE 10/1 SHEET 1 OF 1 SERIES SMA
3	Pin	145-A035-40-AC	1	BeCu	GOLD	
2	Body	145-A032-20-SA	1	SUS303	GOLD	C 
1	Body	145-A035-10-BA	1	BRASS	GOLD	
ITEM	DESCRIPTION	PART NUMBER	QTY	MATERIAL	FINISH	File Path: E:\CONNECTOR\SMA Unit mm A4