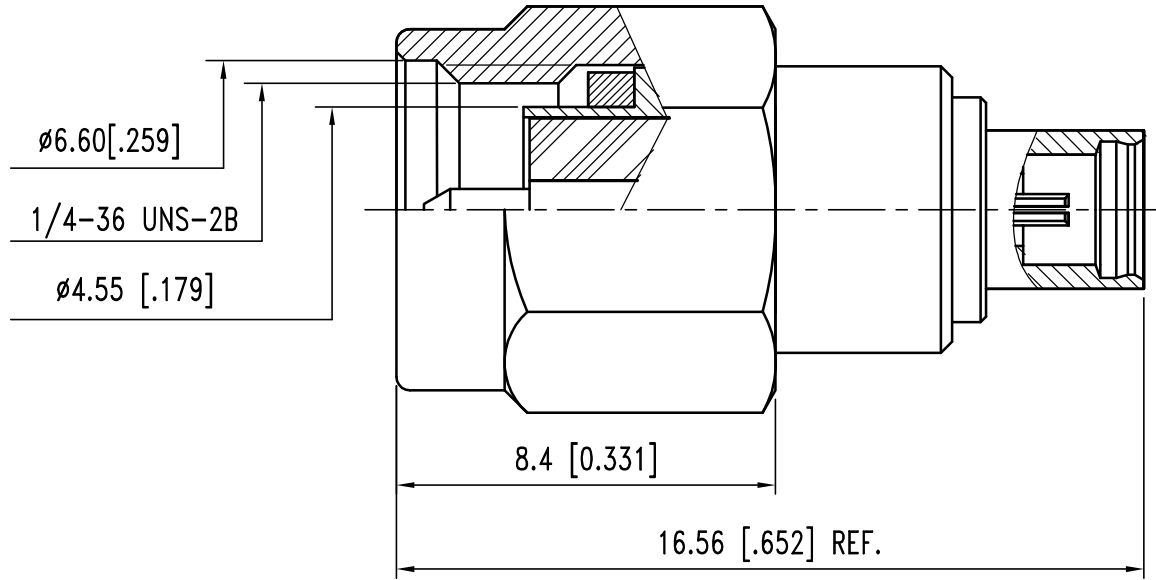
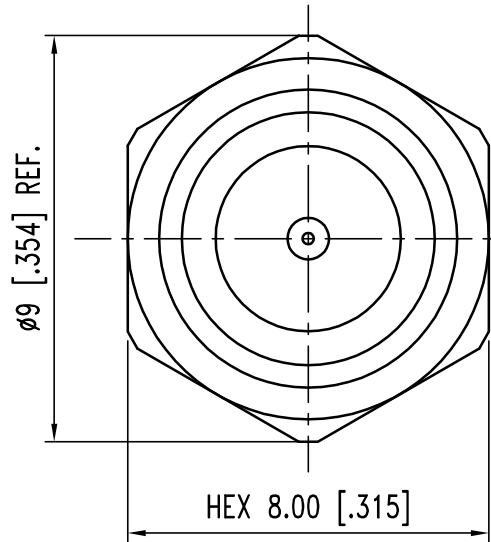


RoHS
COMPLIANT



SPECIFICATIONS :

- 1.IMPEDANCE : 50 OHMS
- 2.FREQUENCY : DC-6 GHz
- 3.VSWR: 1.15 MAX $\text{\textcircled{A2}}$
- 4.GOLD FINISH:3microinches OVER SUS303 (BODY)
- 5.GOLD FINISH:3microinches OVER BRASS (COUPLING NUT)
- 6.GOLD FINISH :30 microinches OVER BeCu (CONTACT)
- 7.REMOVED ALL BURRS & BREAK ALL SHARP EDGES

6	Retaining ring	101-M000-R0-SX	1	SUS304	NONE
5	Gasket	101-M000-M0-MX	1	S. I. R	RED
4	Coupling Nut	101-M000-H0-BA	1	BRASS	GOLD
3	Dielectric	101-A755-70-DX	1	PTFE	NONE
2	Contact	101-A755-40-AC	1	BeCu	GOLD
1	Body	101-A755-10-SA	1	SUS303	GOLD

ITEM	DESCRIPTION	PART NUMBER	QTY	MATERIAL	FINISH
------	-------------	-------------	-----	----------	--------

REV	ECN NO.	NAME	DATE	TOLERANCE: DECIMALS: .XX ±0.08 .X ±0.13 DIAMETER: ±0.03
A2	106-0506	KEN.H	08/18/17	
A1		YUNI	06/05/17	
Drawn		Checked	Approved	Unit
YUNI		CHEN	H.T.LIN	mm
06/05/17		06/05/17	06/05/17	
File Path: E:\CONNECTOR\SMA				A4

	Huang Liang Technologies Co., Ltd
TITLE: SMA PLUG TO MMCX JACK ADAPTER	
DWG.NO. 101-A755/191	
	SCALE 10/1
	SHEET 1 OF 1
	SERIES SMA